
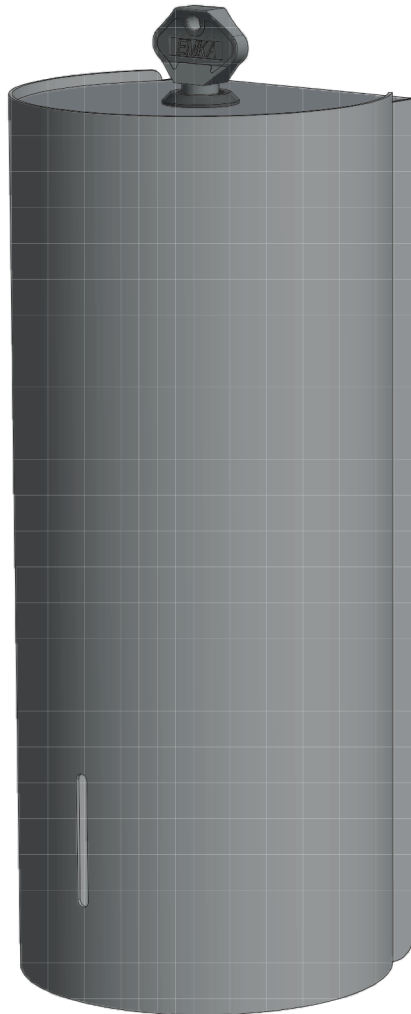



Version	Document	Lang.	Page	
16.06.2021	3050-3056 BJÖRK touch-free dispenser, soap / disinfectant Maintenance and service manual	ENG	1 of 12	

## 3050-3056 BJÖRK touch-free dispenser, liquid soap / disinfectant Maintenance and service manual



### Version history

Version:	Description of changes:	Page(s):

Version	Document	Lang.	Page	
16.06.2021	3050-3056 BJÖRK touch-free dispenser, soap / disinfectant Maintenance and service manual	ENG	2 of 12	

## Table of contents:

Preface	2
General	2
Intended product use	2
The supplier's product liability	2
Safety and warnings	2
Installation and connection	3
External power supply (optional)	6
Liquid filling	7
Battery exchange	9
Regular maintenance	10
Trouble shooting	10
Technical specifications	11
Dimensions	11
Spare parts	12

### Warning!

If the dispenser is not installed and connected properly it can be dangerous to use due to the risk of electric shock. Always follow the installation instructions in this manual.

All service staff who work with servicing and repairing of the dispenser must have read and understood this manual.

### Warning!

During cleaning, inspection, service etc. the dispenser must always be disconnected from the main power supply.

### Safety precautions:

Maintenance work requiring dismantling of the dispenser must only be carried out by staff with proper training.

### Safety precautions:

Check before use that:

- the dispenser is securely attached to the wall.
- the dispenser is properly cleaned.
- the dispenser is not damaged or otherwise in disorder.

## Preface

Thank you for purchasing your equipment from DAN DRYER A/S and congratulations on your new soap/disinfectant dispenser. If you use and maintain your dispenser according to our manual, it will work to your satisfaction for many years.

## General


The dispenser must only be installed and used in accordance with these instructions and safety precautions. All service staff who work with installation, servicing and repair of the dispenser must have read and understood this manual. If you have questions concerning the use or maintenance of your dispenser, you are welcome to contact us.

## Intended product use

The dispenser is designed for installation in indoor or public or private restrooms and may only be used for liquid soap/disinfectant.

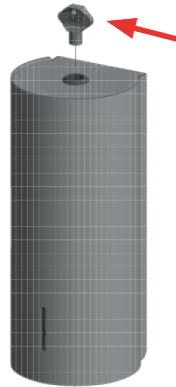
## The supplier's product liability

DAN DRYER A/S accepts no responsibility if the dispenser is installed, used, modified or composed otherwise than specified in this manual.

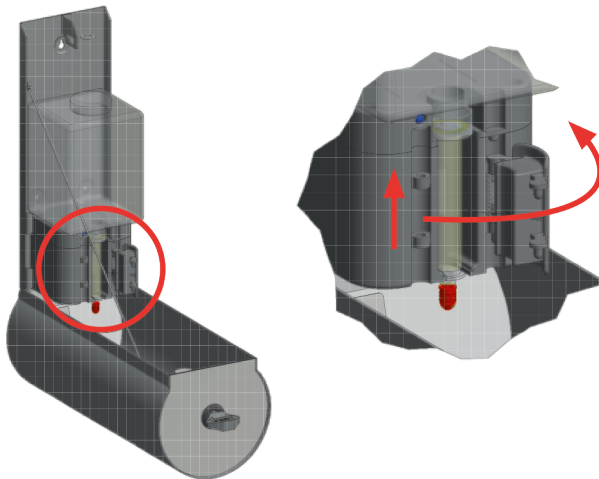
Version	Document	Lang.	Page	
16.06.2021	3050-3056 BJÖRK touch-free dispenser, soap / disinfectant Maintenance and service manual	ENG	3 of 12	

## Installation and connection:

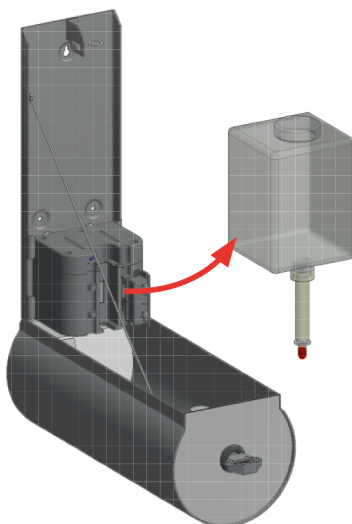
1. Open the front cover using the supplied square key.



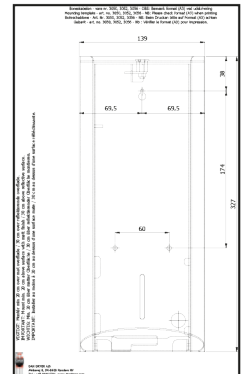
2. Open the flap on the front of the pump housing by gently lifting it approximately 1 cm and turn it anticlockwise.



3. Remove the liquid container by gently pulling it out of the pump housing.

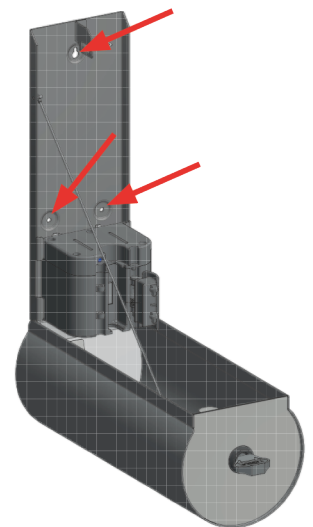


4. Mark the holes on the wall at the chosen location by using the enclosed mounting template.




**To prevent accidental activation, the dispenser must be placed at least 200 mm above the tabletop (with normal reflection). If the worktop is made of stainless steel or other reflective material the minimum distance is 300 mm.**

5. Mount dispenser on the wall using the three screw holes. Always use screw types and plugs suitable for your wall type.



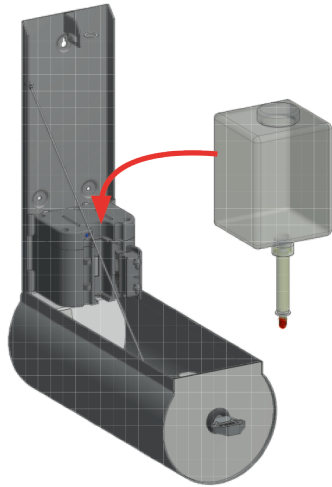
6. Remove the cap and fill the container with appropriate liquid. Refit the cap and wipe any spilled soap.



Version	Document	Lang.	Page	
16.06.2021	3050-3056 BJÖRK touch-free dispenser, soap / disinfectant Maintenance and service manual	ENG	4 of 12	

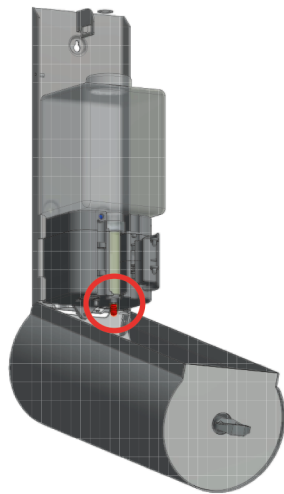
**Installation and connection (continued):**

7. Mount the liquid container by gently pushing it into the groove on the pump housing.

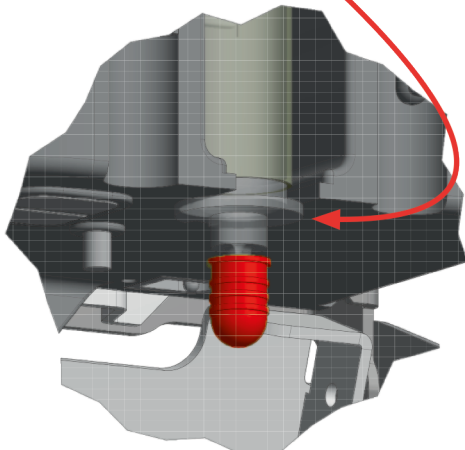


8. Pull the silicone tube downwards and place the outlet nozzle in the slot. Make sure that the collar is located **under** the pump housing.

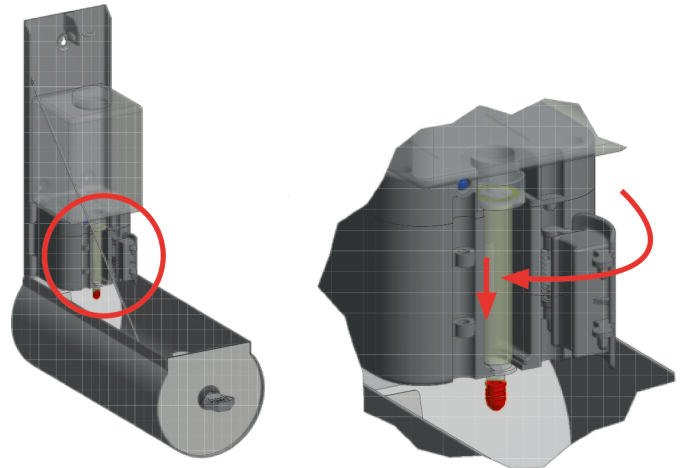
**If the outlet nozzle is placed or installed incorrectly, the pump will not function or its function will be decreased.**



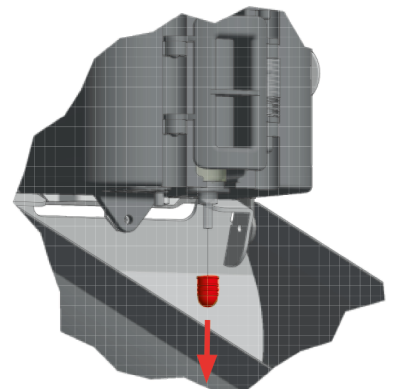
Make sure that the collar is located **under** the pump housing.



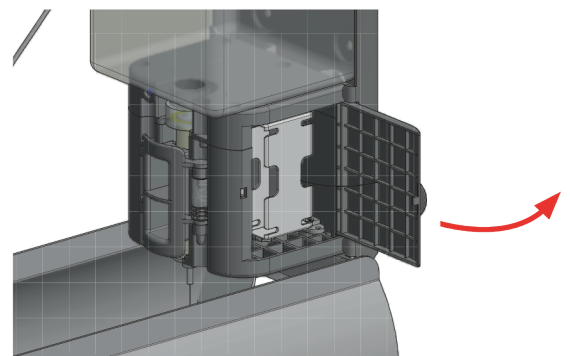
9. Close the flap on the front of the pump housing by turning clockwise and lifting it approximately 1 cm so the two pins fall into the guide holes.




10. Remove the protective plastic plug.



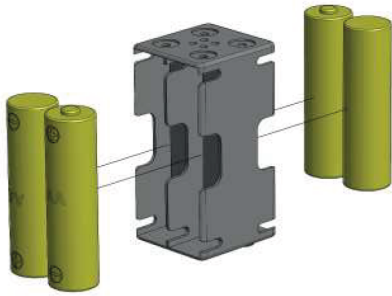
11. Open the door to the battery box. (If you have chosen to use external power supply, skip to page 6).



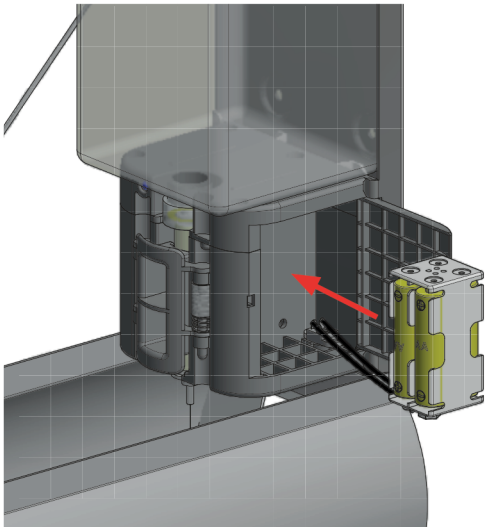
Version	Document	Lang.	Page	
16.06.2021	3050-3056 BJÖRK touch-free dispenser, soap / disinfectant Maintenance and service manual	ENG	5 of 12	

### Installation and connection (continued):

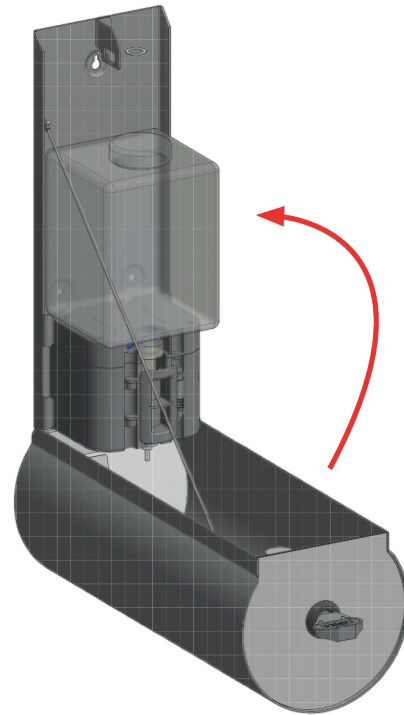
12. Carefully remove the battery box from the pump housing. **Be careful not to pull the wires.** Mount four AA batteries as shown. Be aware that they must be properly oriented with polarity as indicated inside the battery box.




13. Put the battery box back into the pump housing and gently close the door to the battery box.



14. Close the front cover by pushing it against the wall until you hear a "click".  
The dispenser is now ready for use.

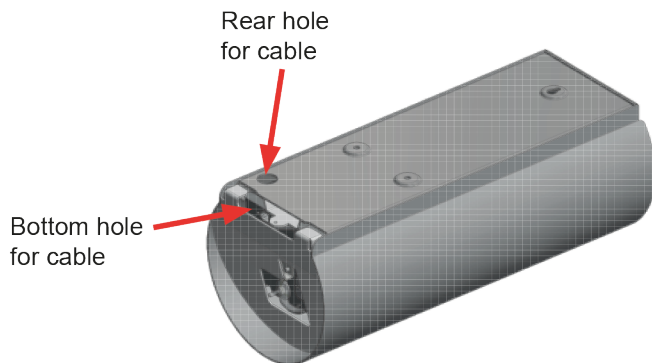
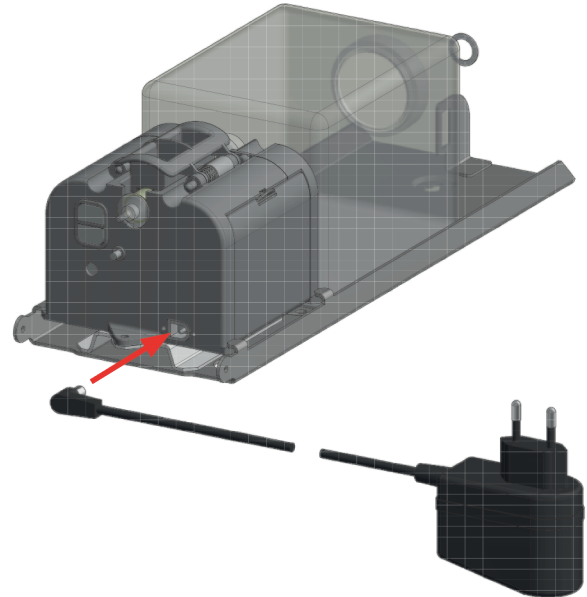



Version	Document	Lang.	Page	
16.06.2021	3050-3056 BJÖRK touch-free dispenser, soap / disinfectant Maintenance and service manual	ENG	6 of 12	

### External power supply (optional):

*Do not install batteries if you have chosen to use the external power supply.*

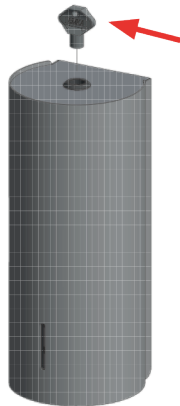
1. Connect the transformer to the pump housing.
2. The cable can be passed through the bottom of the front cover or through the hole in the rear panel.
3. Make sure that the cable is not pinched when the front cover is opened and closed.
4. Connect the transformer to a 230 V power outlet.



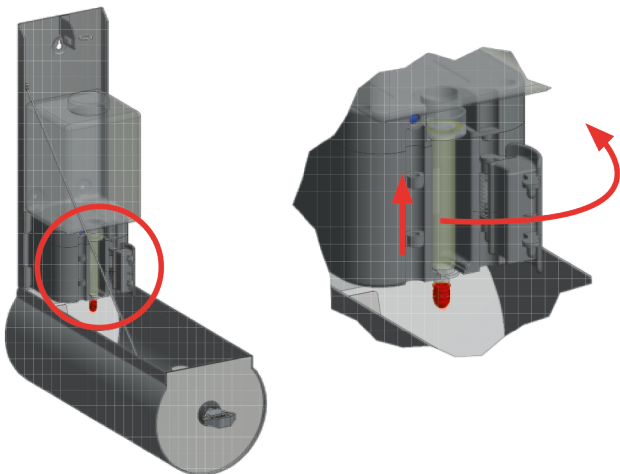
Version	Document	Lang.	Page	
16.06.2021	3050-3056 BJÖRK touch-free dispenser, soap / disinfectant Maintenance and service manual	ENG	7 of 12	

### Liquid filling:

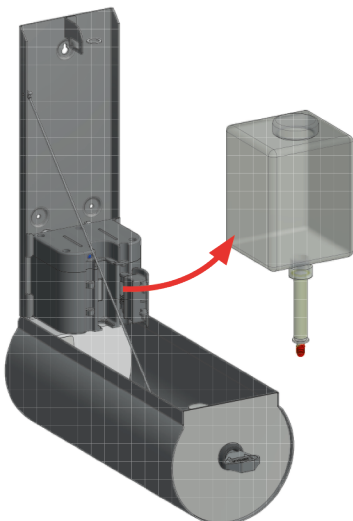
1. Open the front cover using the supplied square key.



2. Open the flap on the front of the pump housing by gently lifting it approximately 1 cm and turn it anticlockwise.



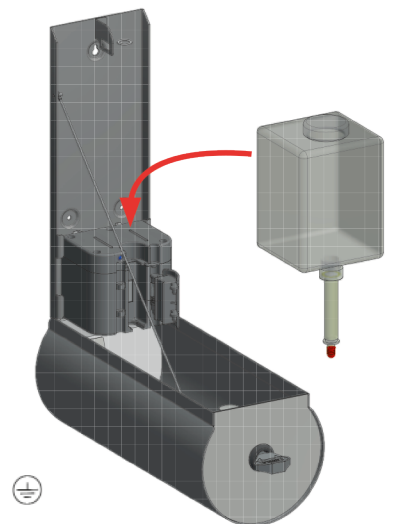
3. Remove the liquid container by gently pulling it out of the pump housing.



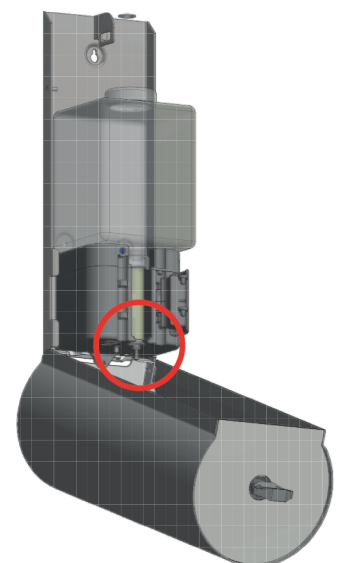
4. Remove the cap and fill the container with appropriate liquid soap / gel disinfectant. Refit the cap and wipe any spilled soap.




5. Mount the liquid container by gently pushing it into the groove on the pump housing.



6. Pull the silicone tube downwards and place the outlet nozzle in the slot. Make sure that the collar is located **under** the pump housing.



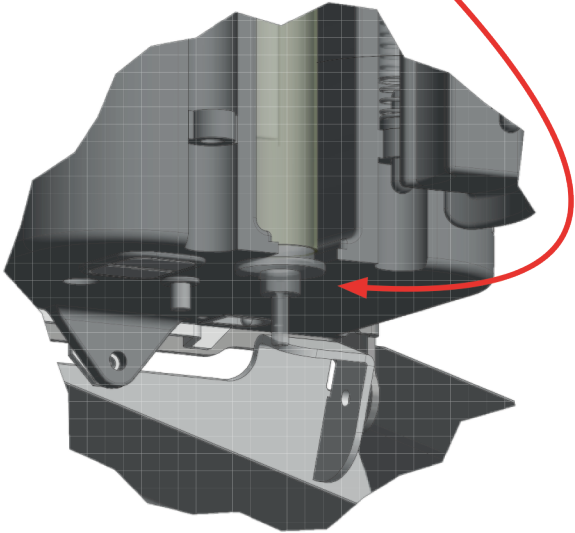
See next page for further instructions....

Version	Document	Lang.	Page	
16.06.2021	3050-3056 BJÖRK touch-free dispenser, soap / disinfectant Maintenance and service manual	ENG	8 of 12	

## Liquid filling:

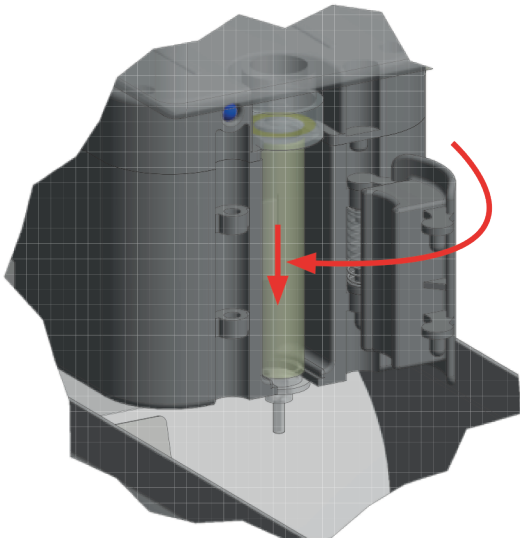
6. (continued....)

Make sure that the collar is located **under** the pump housing.

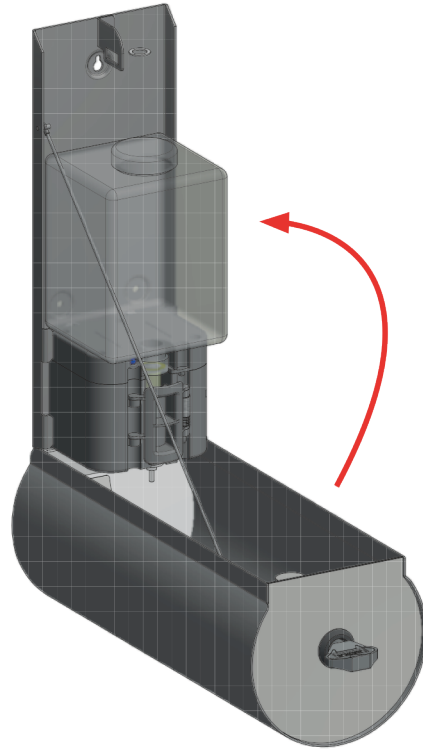


**If the outlet nozzle is placed or installed incorrectly, the pump will not function or its function will be decreased.**


7. Close the flap on the front of the pump housing by turning clockwise and lifting it approximately 1 cm so the two pins fall into the guide holes.



8. Close the front cover by pushing it against the wall until you hear a "click"  
The dispenser is now ready for use.

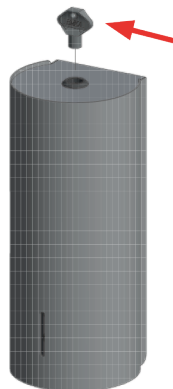




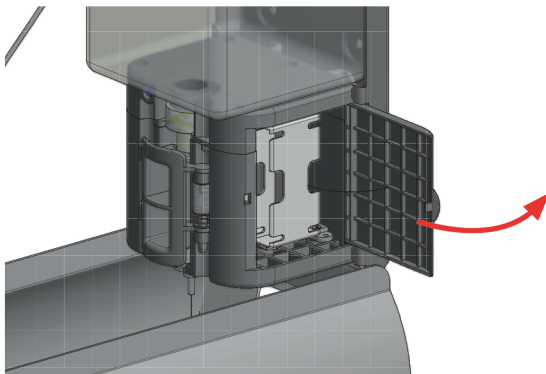
Version	Document	Lang.	Page	
16.06.2021	3050-3056 BJÖRK touch-free dispenser, soap / disinfectant Maintenance and service manual	ENG	9 of 12	

### Battery exchange:

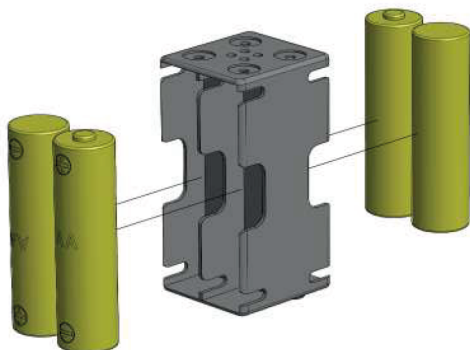
1. Open the front cover using the supplied square key.



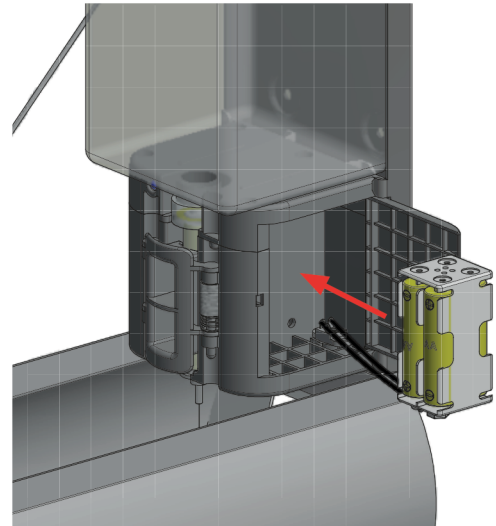
2. Open the door to the battery box.



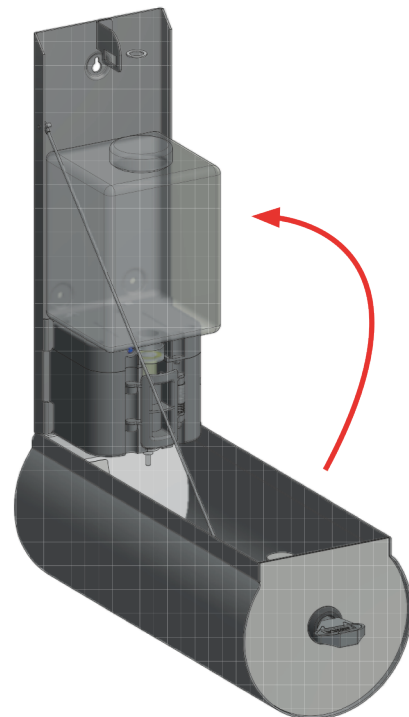
3. Carefully remove the battery box from the pump housing. **Be careful not to pull the wires.** Replace the four AA batteries. Be aware that they must be properly oriented with polarity as indicated inside the battery box.




4. Put the battery box back into the pump housing and gently close the door to the battery box.



5. Close the front cover by pushing it against the wall until you hear a "click". The dispenser is now ready for use.



Version	Document	Lang.	Page	
16.06.2021	3050-3056 BJÖRK touch-free dispenser, soap / disinfectant Maintenance and service manual	ENG	10 of 12	

### Regular maintenance:

To ensure a continued satisfactory function of the dispenser it is recommended regularly to remove dirt and dried liquid residue from the dispenser.

The frequency of cleaning depends on the environment in which the dispenser is installed and how often it is used.

If the dispenser is used often cleaning is recommended at least once a month:

- Clean with a soft wet damp cloth the inside and outside of the dispenser.
- The pump housing must not be poured or flushed with water or other liquids.
- Always use neutral and not abrasive cleaners.
- Empty the tank for liquid and rinse tank and drain hose with clean water.


If the machine is rarely used, we recommend cleaning once every 6 months.

### Trouble shooting:

Problem:	Solution:
The dispenser does not work at all: (Pump function <b>cannot</b> be heard)	<ul style="list-style-type: none"> <li>• Check the 230V power supply (optional)</li> <li>• Check / clean the IR sensor for dirt or damages.</li> <li>• Check / exchange the batteries.</li> <li>• If none of the above actions correct the problem, the pump housing must be replaced.</li> </ul> <p>NOTE THAT THE DISPENSER ONLY WORKS WITH CLOSED FRONT COVER!</p>
The dispenser works, but no soap / disinfectant is delivered: (Pump function <b>can</b> be heard)	<ul style="list-style-type: none"> <li>• Make sure that the container is not empty.</li> <li>• Check that the outlet nozzle is mounted correctly as illustrated in the chapter "Liquid filling".</li> <li>• Check that the outlet tube is screwed correctly on the liquid container.</li> <li>• Check that the outlet tube is not defective or leaking.</li> <li>• If none of the above actions correct the problem, the liquid container and outlet tube must be replaced.</li> </ul> <p>NOTE THAT THE DISPENSER ONLY WORKS WITH CLOSED FRONT COVER!</p>
The dispenser is dripping:	<ul style="list-style-type: none"> <li>• Remove the outlet tube and nozzle from the liquid container and flush it with clean water. Attach the outlet tube and nozzle to the liquid container and re-install it in the pump housing. Check that the outlet nozzle is mounted correctly as illustrated in the chapter "Liquid filling".</li> <li>• If this action does not correct the problem, the outlet tube and nozzle must be replaced.</li> </ul> <p>NOTE THAT THE DISPENSER ONLY WORKS WITH CLOSED FRONT COVER!</p>

### IMPORTANT:

**If the unit is returned to DAN DRYER it must be accompanied by a detailed description of the problem. We recommend always to contact us before returning a unit.**

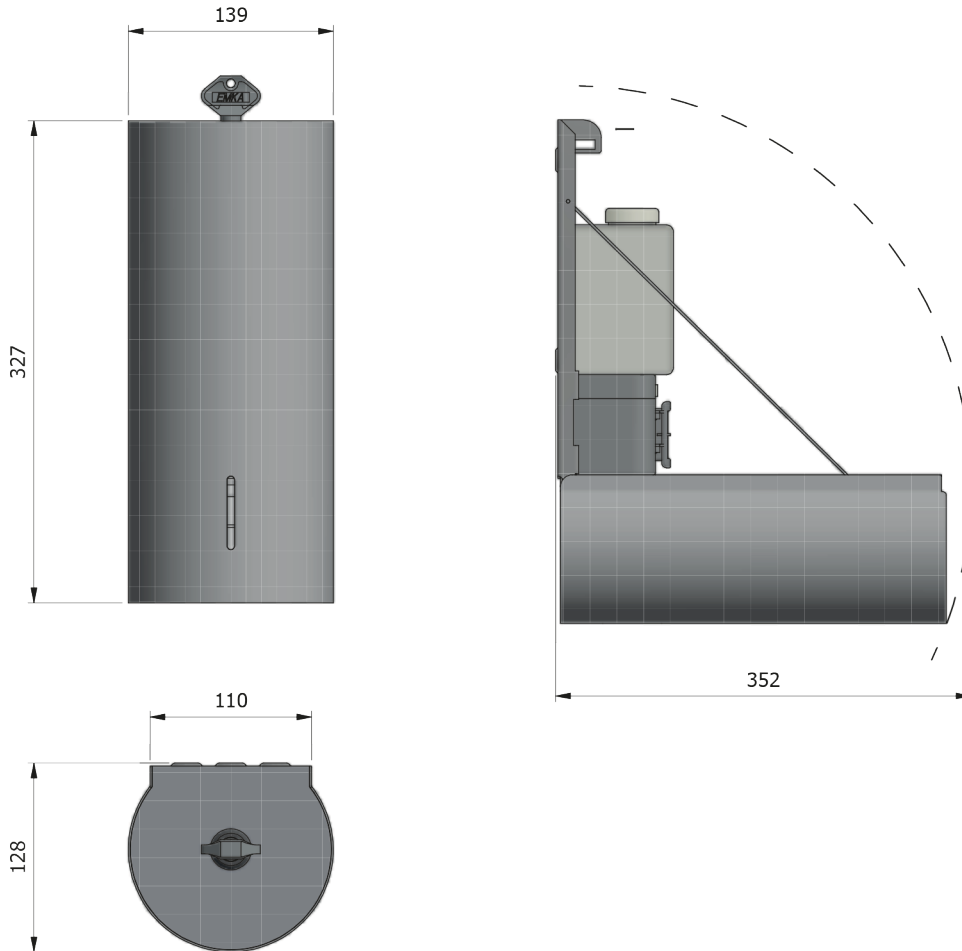
Version	Document	Lang.	Page	
16.06.2021	3050-3056 BJÖRK touch-free dispenser, soap / disinfectant Maintenance and service manual	ENG	11 of 12	


### Technical specifications:

Power supply: 4 x AA batteries.

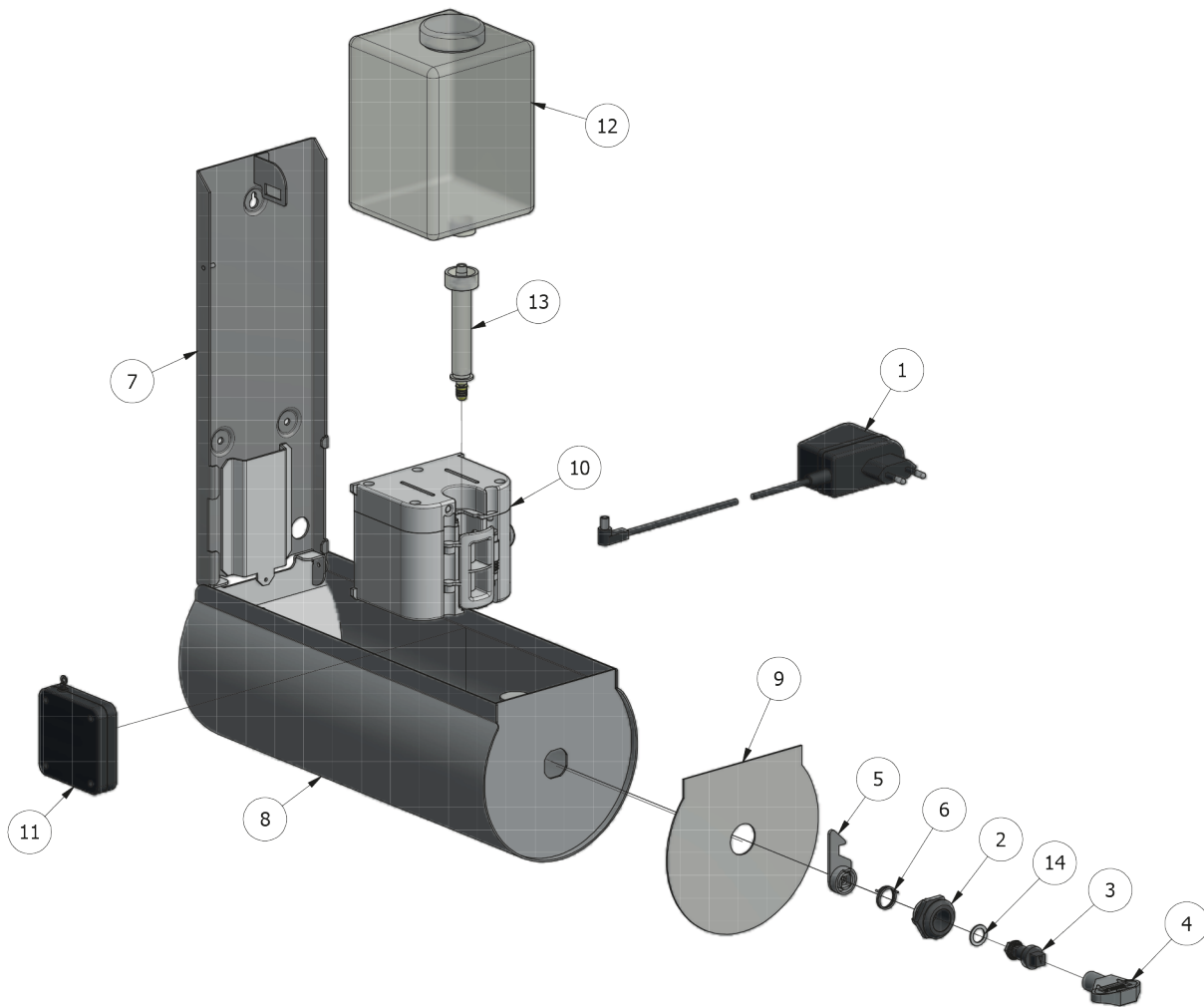
Optional power supply: Transformer 100-240V, 50/60, 0.5A, IP20

### Dimensions:



Version	Document	Lang.	Page	
16.06.2021	3050-3056 BJÖRK touch-free dispenser, soap / disinfectant Maintenance and service manual	ENG	12 of 12	

### Spareparts:



Pos.	Product name	Article No.
1	Transformer 230V	10888
	Transformer 230V (UK)	10894
	Transformer 110V	10889
2	Lock housing	28200
3	Insert for lock housing	28201
4	Key, square 8 mm	28202
5	Lock pawl	33715
6	Spring for lock	33725
7	Wall fixture	10846
8	Cabinet, white	50750
	Cabinet, black	50756
9	Top plate, 6 variants	3090, 3092, 3096, 3101, 3102, 3103
10	Pump housing	10920
11	Extractor	10925
12	Liquid container	10836
13	Outlet nozzle	10845
14	Washer, plastic	28207